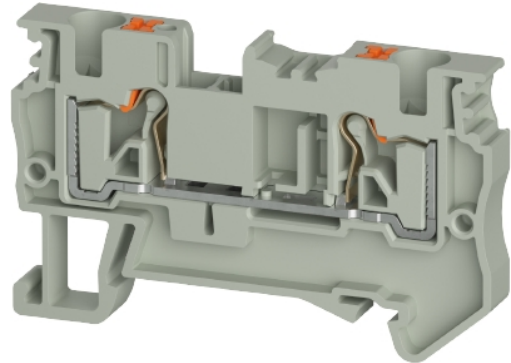


Data sheet

Commercial Art.No.: 5D.204.0055.0

feed-through terminal WTPN 4

feed-through terminal WTPN 4 rated voltage 800 V, rated current 32 A, push-In connection//true, number of levels 1, number of clamp positions per level 2, nominal cross section 4 mm², connectable conductor cross section fine stranded without cable end sleeve 0,2mm² - 4mm², mounting method DIN rail (top hat rail), color grey, width/grid dimension 6.1 mm, inflammability class of insulation material acc. with ul94 V0



Commercial Art.No.	5D.204.0055.0
EAN	4049088706660
Order Unit	100

certificates / approvals



Technical data

general

nominal cross section	4 mm ²
color	grey
number of levels	1
number of clamp positions per level	2
width/grid dimension	6.1 mm
insulating housing	PA
inflammability class of insulation material acc. with UL94	V0
mounting method	DIN rail (top hat rail)

technical data

rated current	32 A
rated voltage	800 V
rated impulse voltage	8 kV
pollution degree	3
closing plate required	yes
type of insulation material	thermoplastic
length	57 mm
width	6.1 mm

connection data

connection type	push-In connection//true
connection type 1	plug-in connection
minimum cross section solid	0.2 mm ²
maximum cross section solid	6 mm ²
minimum cross section fine stranded	0.2 mm ²
maximum cross section fine stranded	4 mm ²

mininum conductor cross section (flex., stranded) with cable end sleeve	0.25 mm ²
maximum conductor cross section (flex., stranded) with cable end sleeve	4 mm ²
wire strip length	12 mm

technical data UL/CSA

cross section UL	24-10 AWG
voltage UL	600 V
current factory wiring	30 A
current field wiring	30 A
cross section CSA	24-10 AWG
voltage CSA	600 V
current CSA	30 A

classification

ETIM 9.0	EC000897
----------	----------

product compliance

REACH-SVHC conformity status	compliant
------------------------------	-----------

Accessories

Commercial Art.No.:	Article-type description:	Description:
0D.203.5127.5	jumper bar IVB WTPN 2.5R4	jumper bar IVB WTPN 2.5R4 modular spacing 5.6 mm, insulated yes, number of poles 2, color red, mounting method pluggable, inflammability class of insulation material acc. with ul94 V0
0D.204.3227.5	jumper bar IVB WTPN 4-2	jumper bar IVB WTPN 4-2 modular spacing 6.1 mm, insulated yes, number of poles 2, color red, mounting method pluggable, inflammability class of insulation material acc. with ul94 V0
0D.204.3327.5	jumper bar IVB WTPN 4-3	jumper bar IVB WTPN 4-3 modular spacing 6.1 mm, insulated yes, number of poles 3, color red, mounting method pluggable, inflammability class of insulation material acc. with ul94 V0
0D.204.3427.5	jumper bar IVB WTPN 4-4	jumper bar IVB WTPN 4-4 modular spacing 6.1 mm, insulated yes, number of poles 4, color red, mounting method pluggable, inflammability class of insulation material acc. with ul94 V0
0D.204.3527.5	jumper bar IVB WTPN 4-5	jumper bar IVB WTPN 4-5 modular spacing 6.1 mm, insulated yes, number of poles 5, color red, mounting method pluggable, inflammability class of insulation material acc. with ul94 V0
0D.204.4027.5	jumper bar IVB WTPN 4-10	jumper bar IVB WTPN 4-10 modular spacing 6.1 mm, insulated yes, number of poles 10, color red, mounting method pluggable, inflammability class of insulation material acc. with ul94 V0
0D.204.5027.5	jumper bar IVB WTPN 4-20	jumper bar IVB WTPN 4-20 modular spacing 6.1 mm, insulated yes, number of poles 20, color red, mounting method pluggable, inflammability class of insulation material acc. with ul94 V0
0D.204.5127.5	jumper bar IVB WTPN 1.5R4	jumper bar IVB WTPN 1.5R4 modular spacing 4.8 mm, insulated yes, number of poles 2, color red, mounting method pluggable, inflammability class of insulation material acc. with ul94 V0
0D.204.5227.5	jumper bar IVB WTPN 4R6	jumper bar IVB WTPN 4R6 modular spacing 9.1 mm, insulated yes, number of poles 2, color red, mounting method pluggable, inflammability class of insulation material acc. with ul94 V0

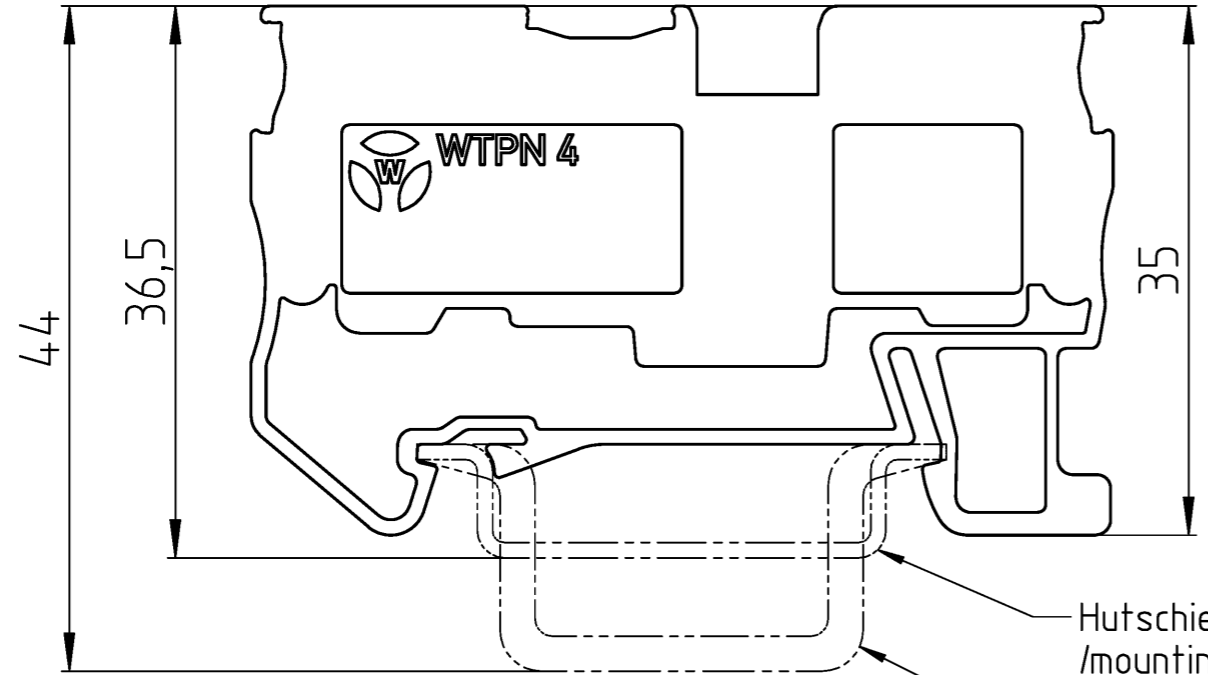
0D.204.5327.5	jumper bar IVB WTPN 4R10	jumper bar IVB WTPN 4R10 modular spacing 10.1 mm, insulated yes, number of poles 2, color red, mounting method pluggable, inflammability class of insulation material acc. with ul94 V0
0D.204.5427.5	jumper bar IVB WTPN 4R16	jumper bar IVB WTPN 4R16 modular spacing 11.1 mm, insulated yes, number of poles 2, color red, mounting method pluggable, inflammability class of insulation material acc. with ul94 V0
0D.204.8055.5	test plug PS 4	test plug PS 4 color red
0D.204.8155.5	spacer SPS 4	spacer SPS 4 color red
0D.202.1055.0	partition TW 001	
0D.204.2055.0	end plate APWTPN 4	
0D.202.7281.0	marking strips WML 9.8/60	marking strips WML 9.8/60 color white
0D.202.7381.0	marking strips WML 7.4/60	marking strips WML 7.4/60 color white
0D.204.7056.0	marking plate WMP 6.10-10	marking plate WMP 6.10-10 modular spacing 6.1 mm, color white
0D.204.7156.0	marking plate WMP 6.10-5.8	marking plate WMP 6.10-5.8 modular spacing 6.1 mm, color white
0D.203.7455.0	marking tag ZS 003	marking tag ZS 003 modular spacing 5.1 mm, color transparent
0D.203.7555.0	marking tag ZS 004	marking tag ZS 004 modular spacing 12 mm, color transparent

Alle Rechte vorbehalten
 All rights reserved
 Vertraulichkeitsklasse
 Confidentiality Class: Vertraulich
 Confidential

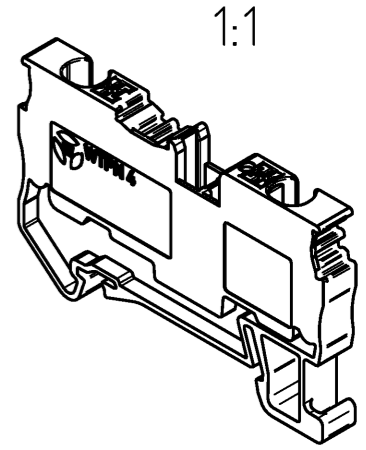
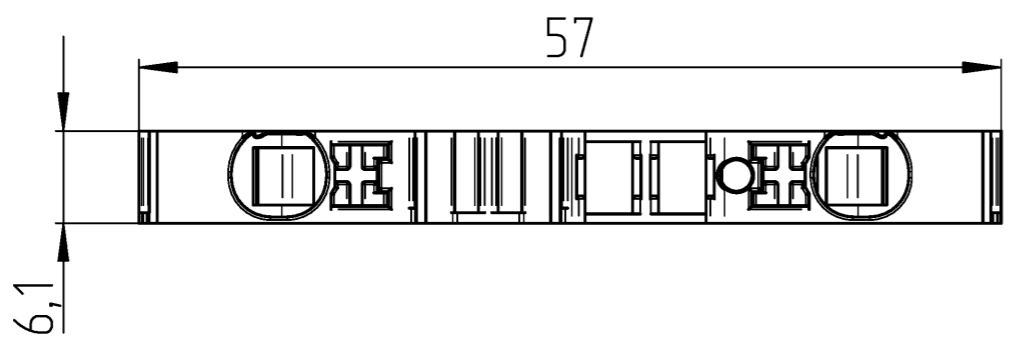
These dimensions will be especially checked at delivery
 Only inspection dimensions
 With /E marked dimensions are only valid for internal use

Diese Maße werden bei Abnahme besonders geprüft
 Ausschließlich Prüfmaße
 Mit /E gekennzeichnete Maße sind nur für interne Zwecke gültig

2025-11-20 14:48:31 1.000



Hutschiene EN 60715-35x7,5
 /mounting rail EN 60715-35x7,5
 Hutschiene EN 60715-35x15
 /mounting rail EN 60715-35x15



Weitere Daten siehe KATALOG oder eKatalog
 additional data see CATALOG or eCATALOG
www.wieland-electric.com
eshop.wieland-electric.com

Tolerierung Size ISO 14405 © / Tolerance system Size ISO 14405 ©. (This ISO-standard describes the envelope principle. According to the envelope principle the deviations of form and parallelism are limited by the size tolerances).		ja/yes <input checked="" type="checkbox"/> Stoffverbots- und Deklarationsliste nach WN 5020.010 ist einzuhalten. Conformity with Wieland document WN 5020.010 e (list of prohibited / declarable hazardous substances) to be declared!	
Freitoleranz nach General tolerance		CAD - Zeichnung, keine manuellen Änderungen CAD - drawing, no manual modifications allowed	
1. Verwendung: First Use:		Blatt: 1 von 1 Sheet: 1 of 1	
Werkstoff / Material		Tag/Date	Name
Maßstab / Scale		10.02.2025	Holler
2:1		Elektronische Freigabe Electronic Release	
Vol. mm ³ / Of./Srf. mm ²		Zeichnung Nr. / Drawing No. T 5D.204.0055.0 13K	
Ersatz für / Replacement for:		Maße in mm / Dimensions are in mm	
Type		Benennung/Title	
wieland		DURCHGANGSKLEMME feed-through terminal	
Index	Datum / Blatt Date / Sheet		
Änderung / Revision			

Bestell-Nr. /order no.	Typ /type	Farbe /colour	VPE: packaging unit:
5D.204.0055.0	WTPN 4	grau / grey	100
5D.204.0055.6	WTPN 4 BL	blau / blue	